

Maximum Lift
4.0m

Maximum load
120kg

Electric Wire Lifter

Various Special Features

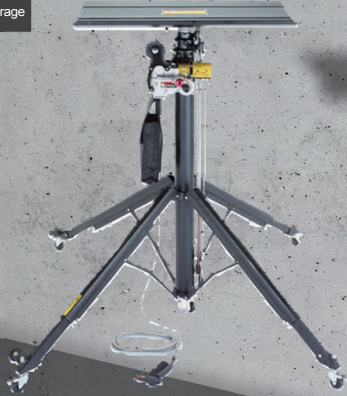
A wire is used for smooth lifting and lowering without sudden jumps when unloading.

The lifter has been carefully designed with a stepless speed control switch for easy fine adjustment, and a castor arrangement for convenient movement and position adjustment.

Part No	Product Name
TA801AF-EXP	Electric wire lifter
Maximum load	120kg
Highest / lowest ground height	4.0/1.23m
Size	270×350×1170mm (Body only / Minimum size) 1170×1240×H1230mm (Top panel/Assembled with legs open)
Weight	32.5kg
Top panel size	435×747mm
Top panel weight	4.7kg
Ascending time	48 Seconds (Height 4m, 100kg when loaded)
Voltage	220V 50/60Hz 1100w (maximum)

※ Always lock the casters when loading and lifting.

Compact Storage



Maximum Lifting Height
4m

Control switch for adjusting elevation speed



Trigger controls the lifting and lowering speed. The switch is also located on the trigger for easy operation.



Foldable aluminum top panel



The lightweight and strong panel can be folded when moving.

Castors for pinpoint position adjustment



Secure locking of the column and each caster during loading/elevating.

Castors for convenient mobility



Easy to move with special casters for transportation.

 **ICHINEN TASCO CO.,LTD.**

ADDRESS 1-17-20 Inadaemachi, Higashi-Osaka City, Osaka, 577-01

PHONE +81-6-6748-9310

FAX +81-6-6748-9320

E-MAIL overseas@tascojapan.co.jp

URL <http://www.tascojapan.com>